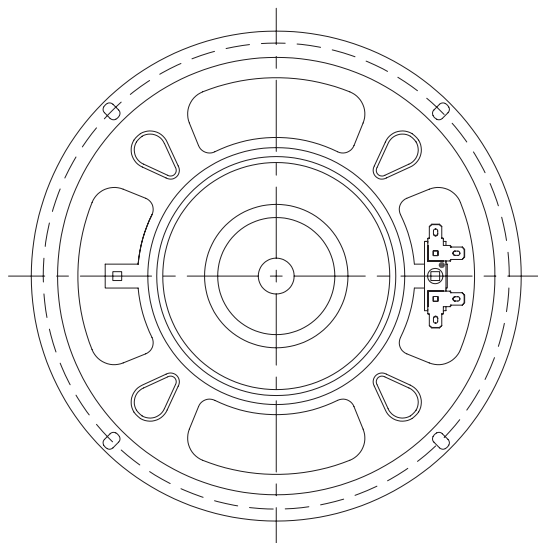
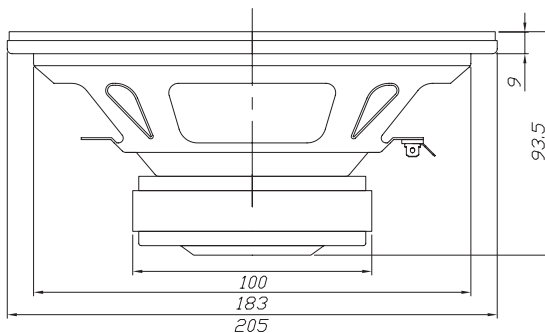


Features

- 8" polymer laminate non-pressed paper cone
- Rubber surround
- Vented pole piece
- Extended bump plate
- High temperature aluminum voice coil

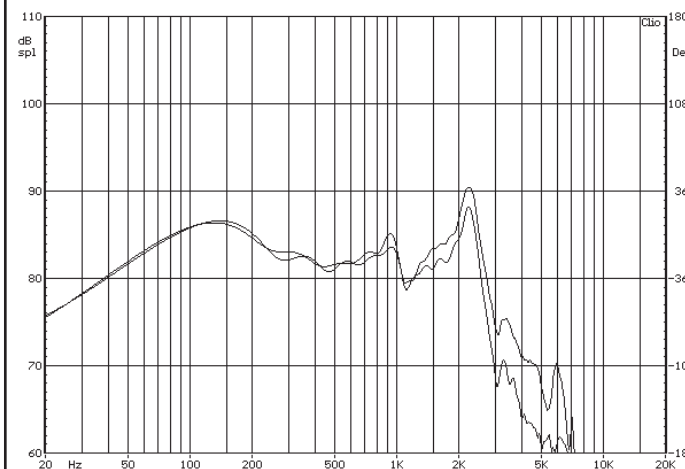
Parameters

Impedance (Ω)	8
Re (Ω)	6.4
Le (mH) @ 1 kHz	2.36
Fs (Hz)	31.0
Qms	2.96
Qes	0.47
Qts	0.40
Mms (g)	32.82
Cms (mm/N)	0.81
Sd (cm ²)	211.2
Vd (cm ³)	95.1
BL (Tm)	9.35
VAS (liters)	50.5
XMAX (mm)	4.5
VC Diameter (mm)	35
SPL (dB@1W/1m)	88.0
RMS Power Handling (w)	60
Usable Frequency Range (Hz)	29 - 3,000



Note: All dimensions in mm.

Frequency Response



Note: Due to testing limitations, response below 200 Hz is not an actual representation.

Impedance/Phase

